

Technical Sheet

Cookers 900 EV Series Neutral Cupboards

Jemi Simply built to last

Professional Dishwashing
and Cooking Equipment

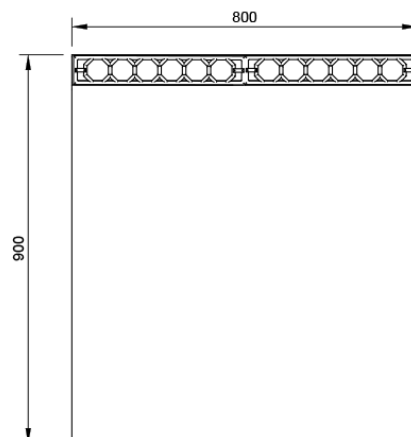
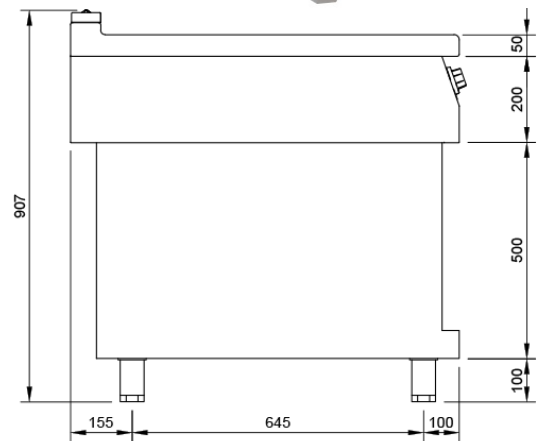
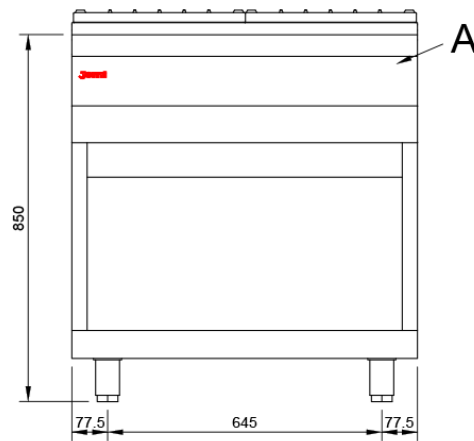
Selva de Mar, 122-128
08020 Barcelona, España
Tel. 0034 93 308 31 54
Fax. 0034 93 303 38 73
jemi@jemi.es
www.jemi.es

Mod. MN97 EV

Characteristics

Externals dimensions 400 x 900 x 850 mm.

Weight 57 Kg.



Index

A. Characteristics plate
(inside panel)

