

# Technical Sheet

**Jemi** Simply built to last

Professional Dishwashing  
and Cooking Equipment

## Frayers N Series Free-standing (oil + water)

Selva de Mar, 122-128  
08020 Barcelona, España  
Tel. 0034 93 308 31 54  
Fax. 0034 93 303 38 73  
jemi@jemi.es  
www.jemi.es

### Mod. N-27/2 N-27/2 GP

#### Characteristics

Externals dimensions 840 x 480 x 860 mm.

Weight 96 Kg.

Oil capacity 2 x 17 litres.

Water capacity 2 x 10 litres.

Dimensions basket  $\varnothing$  310 x 140 mm.

Raiser Yes.

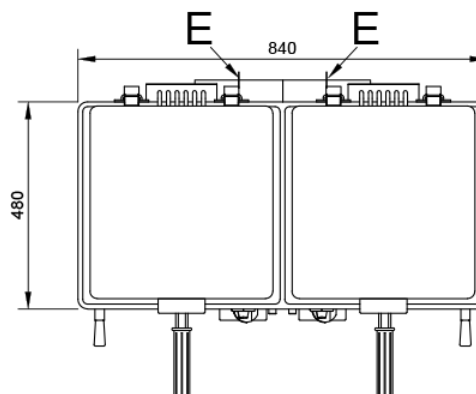
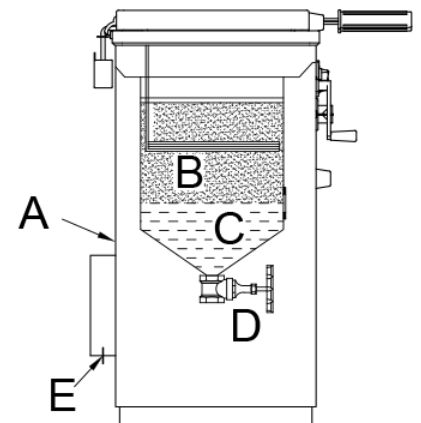
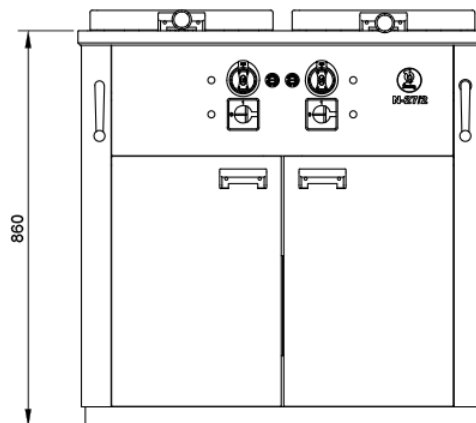
purifier Without.

Electric inlet 230V. III + T.

400V. + T.

N-27/2 Power 2 x 5 Kw.

N-27/2 GP Power 2 x 8 Kw.



#### Index

- A. Characteristics plate (Lower back)
- B. Oil area.
- C. Water zone
- D. Drained tap
- E. Electric inlet 230V. III + T.  
400V. + T.

Power: N-27/2 2 x 5 Kw.

N-27/2 GP 2 x 8 Kw.

