

# Technical Sheet

## Cookers 750 EV Series Paella cooker

**Jemi** Simply  
built to last

Professional Dishwashing  
and Cooking Equipment

Selva de Mar, 122-128  
08020 Barcelona, España  
Tel. 0034 93 308 31 54  
Fax. 0034 93 303 38 73  
jemi@jemi.es  
www.jemi.es

### Mod. P70 EV

#### Characteristics

External dimensions 800 x 750 x 850 mm.

Weight 89 Kg.

Gas consumption Hi (15°C 1013,25 mbar)

Natural gas H G20 Hi = 34.02 MJ / m<sup>3</sup> 0,97

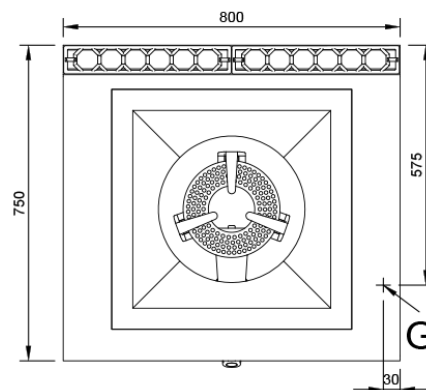
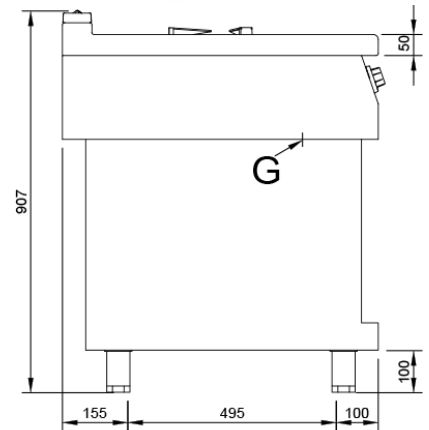
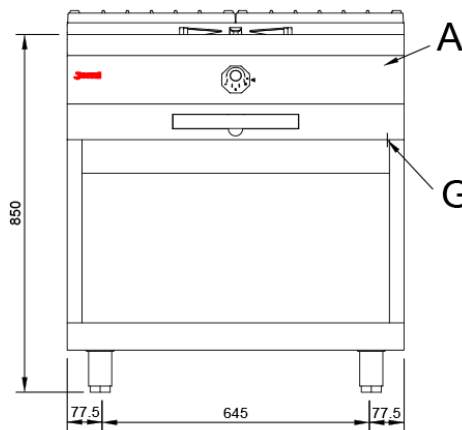
G.P.L. G30 / G31 Hi = 45.65MJ / kg 0,91

Burners 1 ø 250 mm.

Burner power 10 Kw. / 8.600 Kcal/h.

Gas inlet 3/4"

Nominal power 10 Kw.



#### Index

- A. Characteristics plate  
(inside panel)
- G. Gas inlet 3/4".  
Power: 10 Kw.  
8.600 Kcal/h.

