

Technical Sheet

Cookers 750 EV Series Paella cooker

Jemi Simply built to last

Professional Dishwashing
and Cooking Equipment

Selva de Mar, 122-128
08020 Barcelona, España
Tel. 0034 93 308 31 54
Fax. 0034 93 303 38 73
jemi@jemi.es
www.jemi.es

Mod. P71 EV

Characteristics

External dimensions 800 x 750 x 850 mm.

Weight 104 Kg.

Gas consumption Hi (15°C 1013,25 mbar)

Natural gas H G20 Hi = 34.02 MJ / m³ 1,36

G.P.L. G30 / G31 Hi = 45.65MJ / kg 1,27

Burners 1 ø 250 mm.

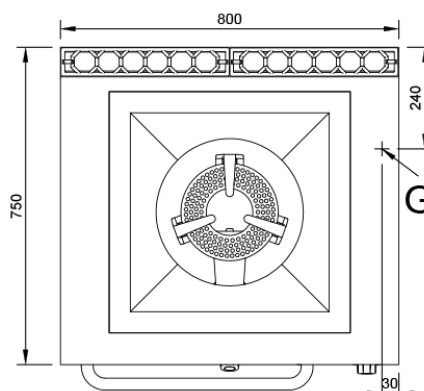
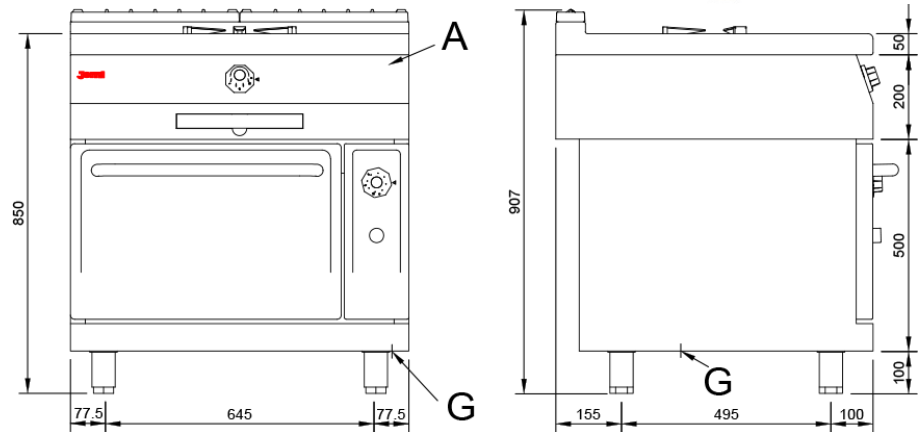
Paella burner power 10 Kw. / 8.600 Kcal/h.

Oven burner power 5 Kw. / 4.300 Kcal/h.

Oven dimensions 530 x 565 x 320 mm.

Gas inlet 3/4"

Nominal power 10 Kw.



Index

- A. Characteristics plate (inside panel)
- G. Gas inlet 3/4".
Power: 15 Kw.
12.900 Kcal/h.

