

Technical Sheet

Cookers 1000 EV Series Electric grill with water

Jemi Simply built to last

Professional Dishwashing
and Cooking Equipment

Selva de Mar, 122-128
08020 Barcelona, España
Tel. 0034 93 308 31 54
Fax. 0034 93 303 38 73
jemi@jemi.es
www.jemi.es

Mod. PAE50 EV

Characteristics

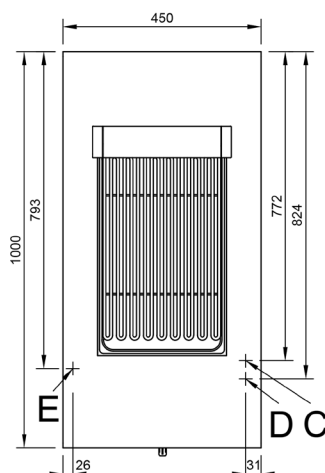
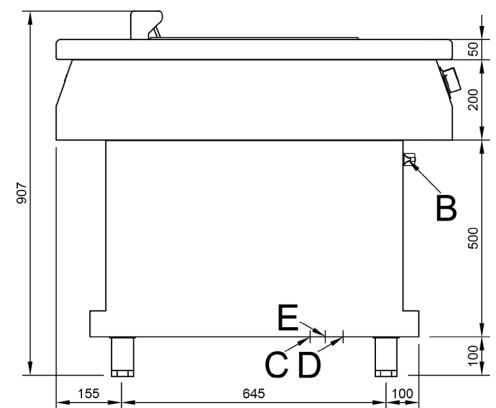
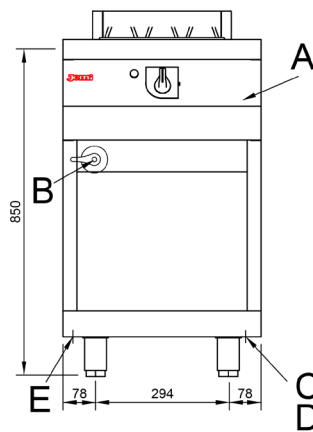
External dimensions 450 x 1000 x 850 mm.

Weight 61 Kg.

Useful area 272 x 477 mm.

Voltage 400V. III + N + T

Power 4 Kw.



Index

- A. Characteristics plate.
(inside panel)
- B. Inlet water tap.
- C. Inlet water 1/2".
- D. Drain \varnothing 28 mm.
- E. Electric inlet: 400V. III + N + T.
Power: 4 Kw.

