

Technical Sheet

Jemi Simply built to last

Professional Dishwashing and Cooking Equipment

Cookers 750 EV Series Electric grill with water

Selva de Mar, 122-128
08020 Barcelona, España
Tel. 0034 93 308 31 54
Fax. 0034 93 303 38 73
jemi@jemi.es
www.jemi.es

Mod. PAE70/2 EV

Characteristics

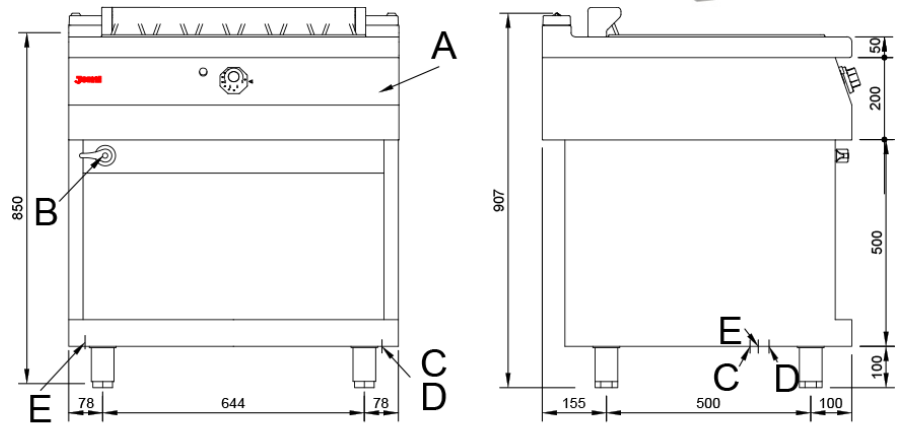
External dimensions 800 x 750 x 850 mm.

Weight 66 Kg.

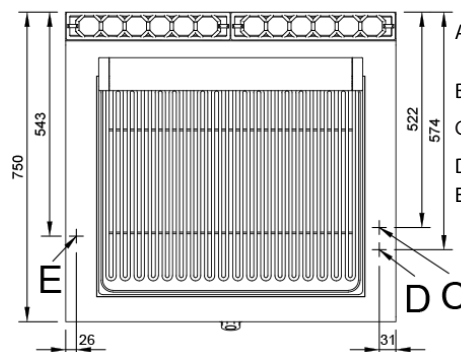
Useful area 544 x 477 mm.

Voltage 400V. III + N + T

Power 8,2 Kw.



Index



- A. Characteristics plate.
(inside panel)
- B. Inlet water tap.
- C. Inlet water 1/2".
- D. Drain \varnothing 28 mm.
- E. Electric inlet: 400V. III + N + T.
Power: 8,2 Kw.

