

Technical Sheet

Cookers 1000 EV Series Gas grill with water

Jemi Simply built to last

Professional Dishwashing
and Cooking Equipment

Selva de Mar, 122-128
08020 Barcelona, España
Tel. 0034 93 308 31 54
Fax. 0034 93 303 38 73
jemi@jemi.es
www.jemi.es

Mod. PG100/2 EV

Characteristics

External dimensions 900 x 1000 x 850 mm.

Weight 142 Kg.

Gas consumption Hi (15°C 1013,25 mbar)

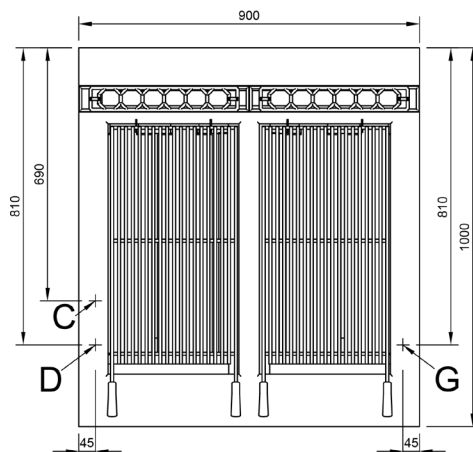
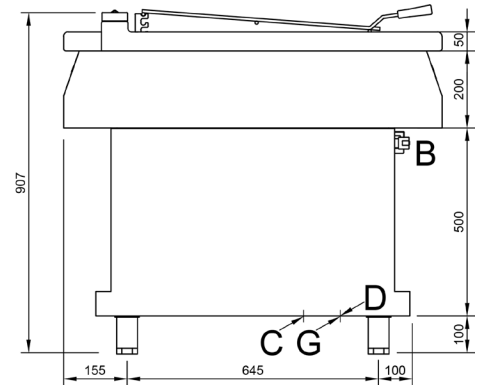
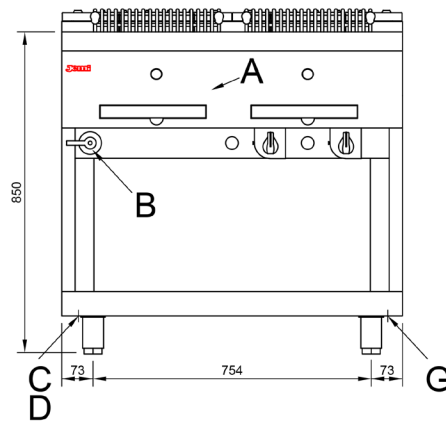
Natural gas H G20 Hi = 34.02 MJ / m³ 2,34

G.P.L. G30 / G31 Hi = 45.65MJ / kg 2,20

Useful area 760 x 610 mm.

Gas inlet 3/4"

Nominal power 28 Kw.



Index

A. Characteristics plate.

(inside panel)

B. Inlet water tap

C. Drain \varnothing 18 mm.

D. Inlet water 1/2".

G. Inlet gas 3/4".

Power: 28 Kw.

24.080 Kcal/h.

