

Technical Sheet

Jemi Simply built to last

Professional Dishwashing and Cooking Equipment

Cookers 750 EV Series Gas grill with water

Selva de Mar, 122-128
08020 Barcelona, España
Tel. 0034 93 308 31 54
Fax. 0034 93 303 38 73
jemi@jemi.es
www.jemi.es

Mod. PG70/2 EV

Characteristics

External dimensions 800 x 750 x 850 mm.

Weight 115 Kg.

Gas consumption Hi (15°C 1013,25 mbar)

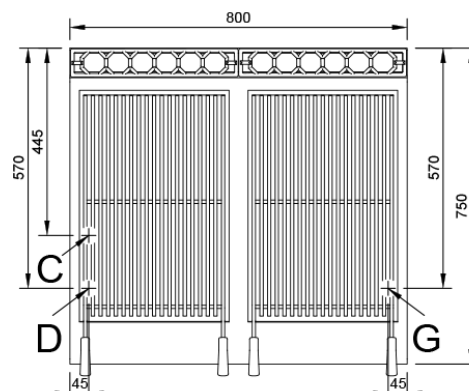
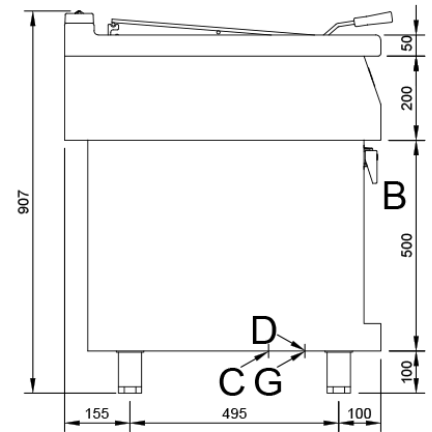
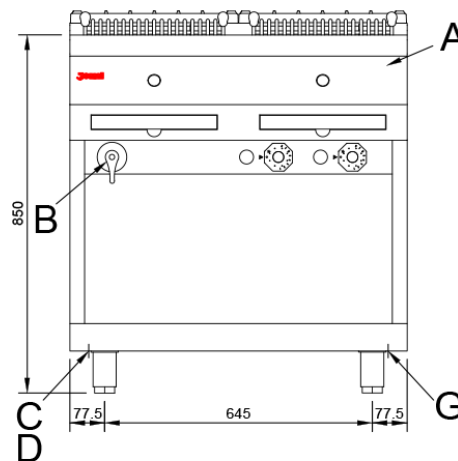
Natural gas H G20 Hi = 34.02 MJ / m³ 1,18

G.P.L. G30 / G31 Hi = 45.65MJ / kg 1,10

Useful area 760 x 475 mm.

Gas inlet 1/2"

Nominal power 14 Kw.



Index

A. Characteristics plate.

(inside panel)

B. Inlet water tap

C. Drain ø 18 mm.

D. Inlet water 1/2".

G. Inlet gas 1/1".

Power: 14 Kw.

12..040 Kcal/h.

