

# Technical Sheet

## Cookers 750 EV Series Gas grill with water

**Jemi** Simply built to last

Professional Dishwashing  
and Cooking Equipment

Selva de Mar, 122-128  
08020 Barcelona, España  
Tel. 0034 93 308 31 54  
Fax. 0034 93 303 38 73  
jemi@jemi.es  
www.jemi.es

### Mod. PGL70/2 EV

#### Characteristics

External dimensions 800 x 750 x 850 mm.

Weight 134 Kg.

Gas consumption Hi (15°C 1013,25 mbar)

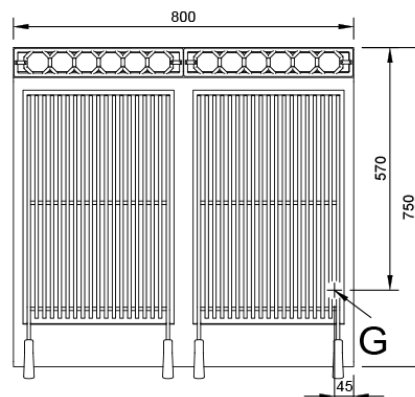
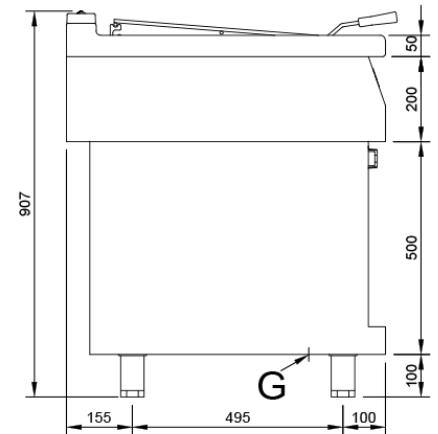
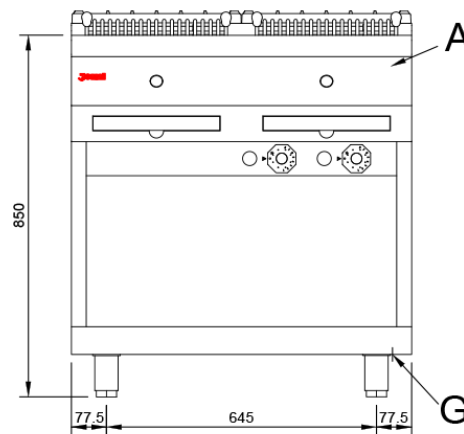
Natural gas H G20 Hi = 34.02 MJ / m<sup>3</sup> 1,18

G.P.L. G30 / G31 Hi = 45.65MJ / kg 1,10

Useful area 760 x 475 mm.

Gas inlet 3/4"

Nominal power 14 Kw.



#### Index

- A. Characteristics plate.  
(inside panel)
- G. Inlet gas 3/4".  
Power: 14 Kw.  
12.040 Kcal/h.

