

Technical Sheet

Jemi Simply built to last

Professional Dishwashing and Cooking Equipment

Cookers 900 Series EV Gas Tilting pans

Selva de Mar, 122-128
08020 Barcelona, España
Tel. 0034 93 308 31 54
Fax. 0034 93 303 38 73
jemi@jemi.es
www.jemi.es

Mod. SB120M EV

Characteristics

External dimensions 1200 x 900 x 850 mm.

Weight 225 Kg.

Gas consumption Hi (15°C 1013,25 mbar)

Natural gas H G20 Hi = 34.02 Mj / m³ 2,38

G.P.L. G30 / G31 Hi = 45.65Mj / kg 2,31

Tank capacity 120 litres

Tank dimensions 1110 x 570 x 225 mm.

Burner power 24.510 Kcal/h.

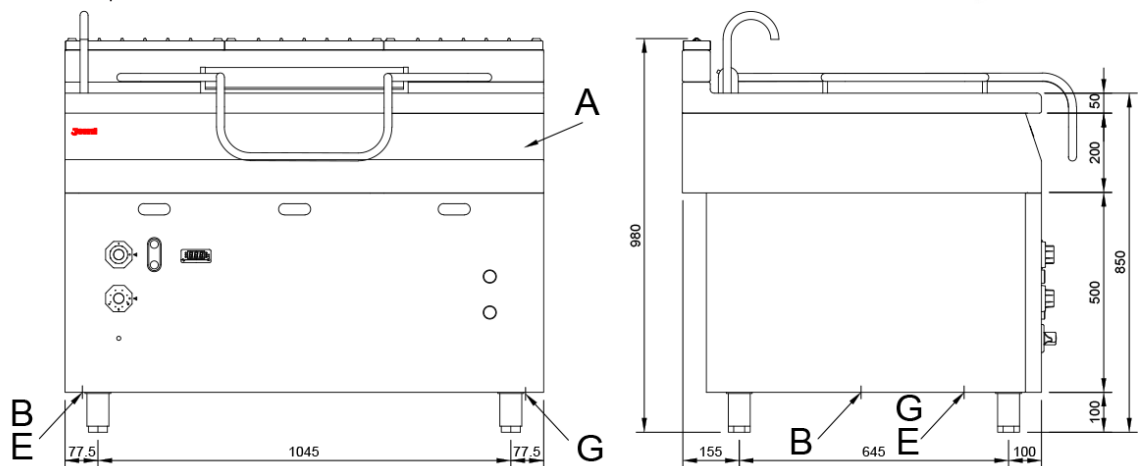
Elevation system Motorized lift

Water inlet cold 1/2"

electrical outlet 230V. II

Gas inlet 3/4"

Nominal power 28,5 Kw.



Index

- A. Characteristics plate (Inside panel)
 - B. Cold water inlet (1/2").
 - E. electrical outlet 230V. II
 - G. Gas inlet 3/4"
- Power: 28,5 Kw.
Kcal./h. 24.510

