

# Technical Sheet

## Cookers 900 Series EV Gas Tilting pans

**Jemi** Simply built to last

Professional Dishwashing  
and Cooking Equipment

Selva de Mar, 122-128  
08020 Barcelona, España  
Tel. 0034 93 308 31 54  
Fax. 0034 93 303 38 73  
jemi@jemi.es  
www.jemi.es

### Mod. SB90M EV

#### Characteristics

External dimensions 800 x 900 x 850 mm.

Weight 185 Kg.

Gas consumption Hi (15°C 1013,25 mbar)

Natural gas H G20 Hi = 34.02 Mj / m<sup>3</sup> 1,59

G.P.L. G30 / G31 Hi = 45.65M / kg 1,49

Tank capacity 80 litres

Tank dimensions 710 x 570 x 225 mm.

Burner power 16.340 Kcal/h.

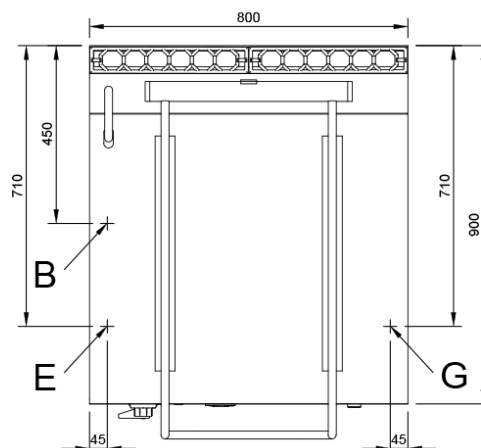
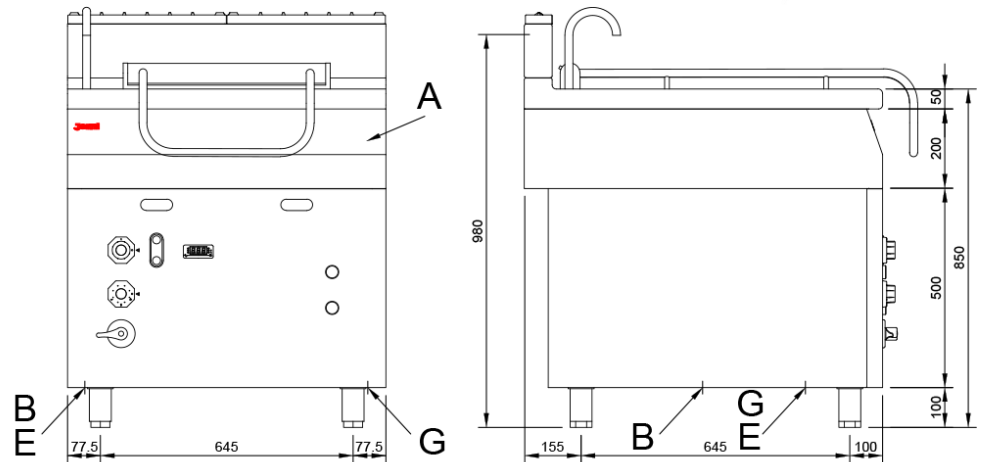
Elevation system Motorized lift

Water inlet cold 1/2"

electrical outlet 230V. II

Gas inlet 3/4"

Nominal power 19 Kw.



#### Index

- A. Characteristics plate (Inside panel)
  - B. Cold water inlet (1/2").
  - E. electrical outlet 230V. II
  - G. Gas inlet 3/4"
- Power: 19 Kw.  
Kcal./h. 16.340

