

Technical Sheet

Jemi Simply built to last

Professional Dishwashing and Cooking Equipment

Cookers 900 Series EV Electric Tilting pans

Selva de Mar, 122-128
08020 Barcelona, España
Tel. 0034 93 308 31 54
Fax. 0034 93 303 38 73
jemi@jemi.es
www.jemi.es

Mod. SBE120M EV

Characteristics

External dimensions 1200 x 900 x 850 mm.

Weight 225 Kg.

Tank capacity 120 litres

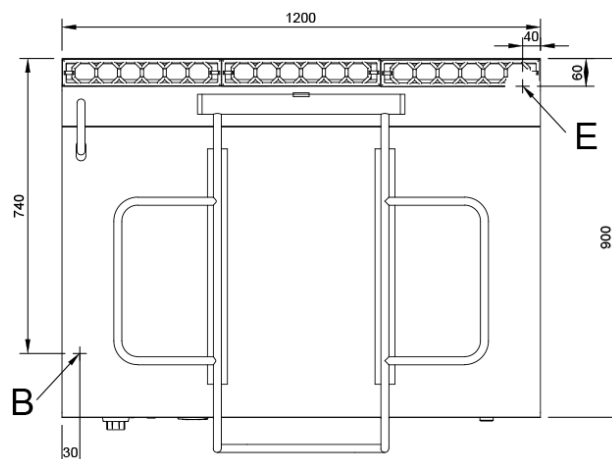
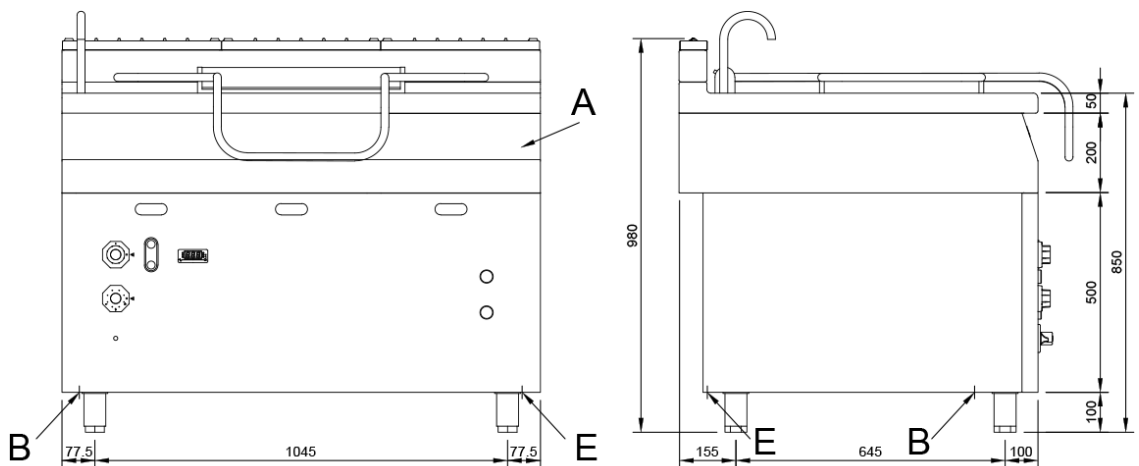
Tank dimensions 1110 x 570 x 225 mm.

elevation system Motorized lift

Water inlet cold 1/2"

electrical outlet 400V. III + T + N.

Power 22,5 Kw.



Index

- A. Characteristics plate (Inside panel)
- B. Cold water inlet (1/2").
- E. electrical outlet 400V. III + T + N.
Power: 22,5 Kw.

