

Technical Sheet

Cookers 750 Series EV Electric Tilting pans

Jemi Simply built to last

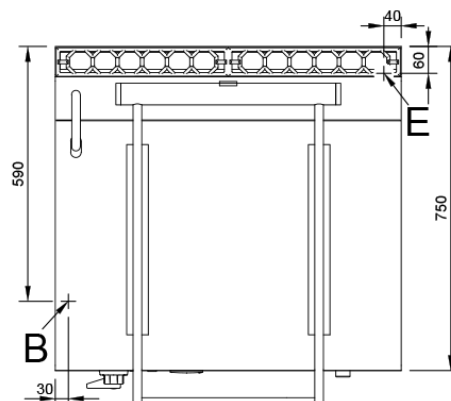
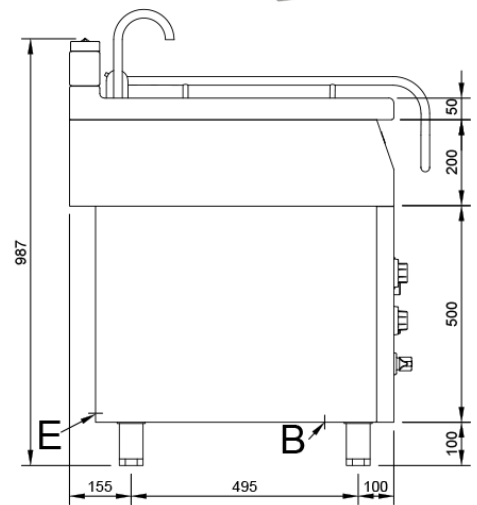
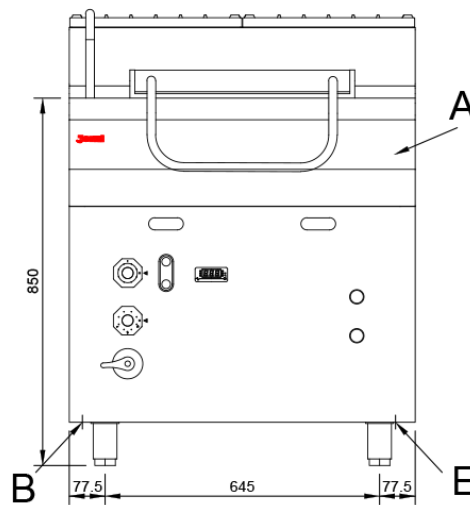
Professional Dishwashing
and Cooking Equipment

Selva de Mar, 122-128
08020 Barcelona, España
Tel. 0034 93 308 31 54
Fax. 0034 93 303 38 73
jemi@jemi.es
www.jemi.es

Mod. SBE70M EV

Characteristics

External dimensions	800 x 750 x 850 mm.
Weight	185 Kg.
Tank capacity	50 litres
Tank dimensions	710 x 420 x 225 mm.
Burner power	16.340 Kcal/h.
Elevation system	Motorized
Water inlet	cold 1/2"
electrical outlet	400V. III N + T.
Power	15 Kw.



Index

- A. Characteristics plate (Inside panel)
- B. Cold water inlet (1/2").
- E. electrical outlet 400V. III N + T.
Power: 15 Kw.

