

Technical Sheet

Cookers 900 Series EV Electric Tilting pans

Jemi Simply
built to last

Professional Dishwashing
and Cooking Equipment

Selva de Mar, 122-128
08020 Barcelona, España
Tel. 0034 93 308 31 54
Fax. 0034 93 303 38 73
jemi@jemi.es
www.jemi.es

Mod. SBE90 EV

Characteristics

External dimensions 800 x 900 x 850 mm.

Weight 185 Kg.

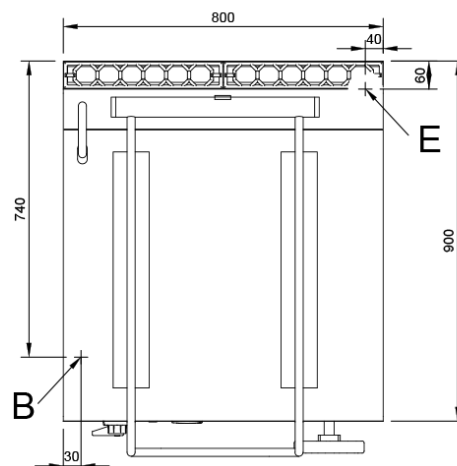
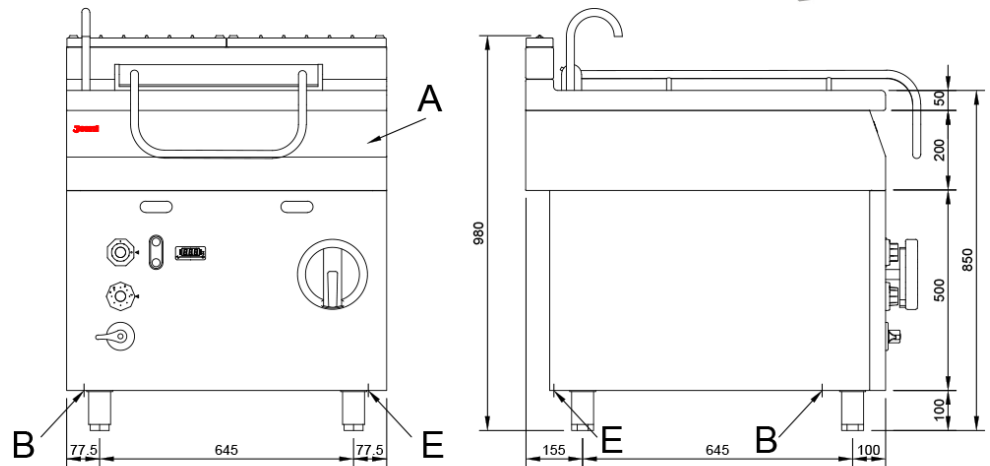
Tank capacity 80 litres

Tank dimensions 710 x 570 x 225 mm.

Water inlet cold 1/2"

electrical outlet 400V. III + T + N.

Power 15 Kw.



Index

- A. Characteristics plate (Inside panel)
- B. Cold water inlet (1/2").
- E. electrical outlet 400V. III + T + N.
Power: 15 Kw.

