

Technical Sheet

Cookers 750 EV Series Gas Fry-Top Quick griddles

Selva de Mar, 122-128
08020 Barcelona, España
Tel. 0034 93 308 31 54
Fax. 0034 93 303 38 73
jemi@jemi.es
www.jemi.es

Mod. SFRT75 / P74 EV

Characteristics

External dimensions 800 x 750 x 380 mm.

Weight 98 Kg.

Gas consumption Hi (15°C 1013,25 mbar)

Natural gas H G20 Hi = 34.02 MJ / m³ 1,34

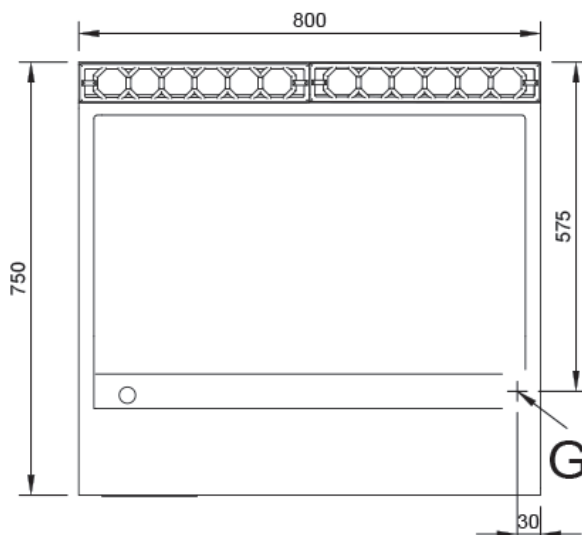
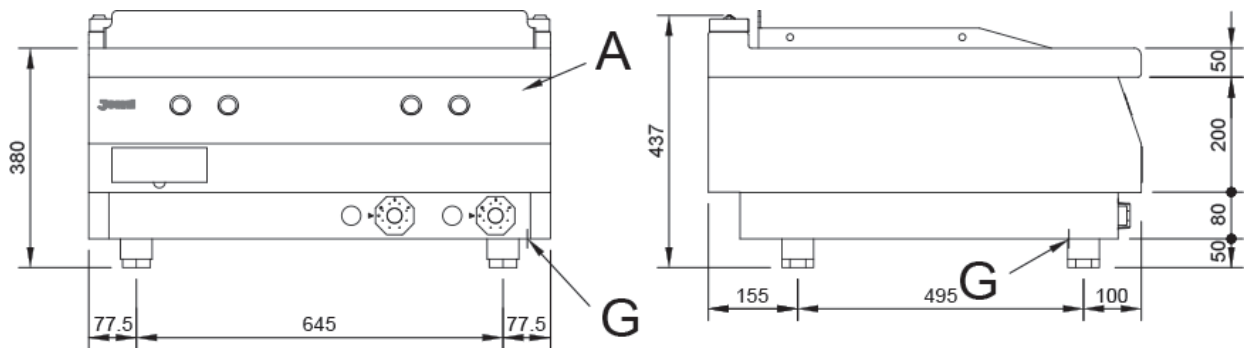
G.P.L. G30 / G31 Hi = 45.65MJ / kg 1,18

Useful area 741 x 506 mm.

Surface type Smooth(IRON).

Gas inlet 3/4"

Nominal power 16,04 Kw.



Index

- A. Characteristics plate (inside panel)
- G. Inlet gas 3/4".
Power: 16,04 Kw.
13.800 Kcal/h.

