

Technical Sheet

Cookers 750 EV Series Electric Fry-Top Quick griddles

Jemi Simply built to last

Professional Dishwashing
and Cooking Equipment

Selva de Mar, 122-128
08020 Barcelona, España
Tel. 0034 93 308 31 54
Fax. 0034 93 303 38 73
jemi@jemi.es
www.jemi.es

Mod. SFRTE72 / P73VT EV

Characteristics

Externa dimensions 400 x 750 x 380 mm.

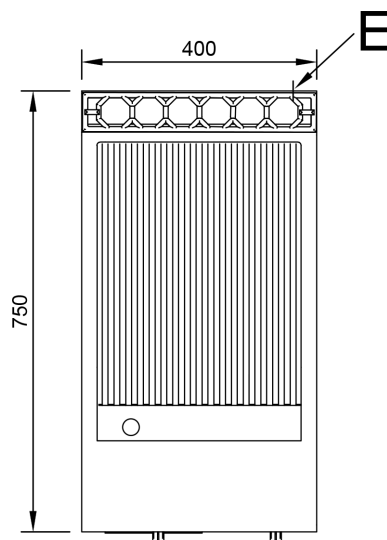
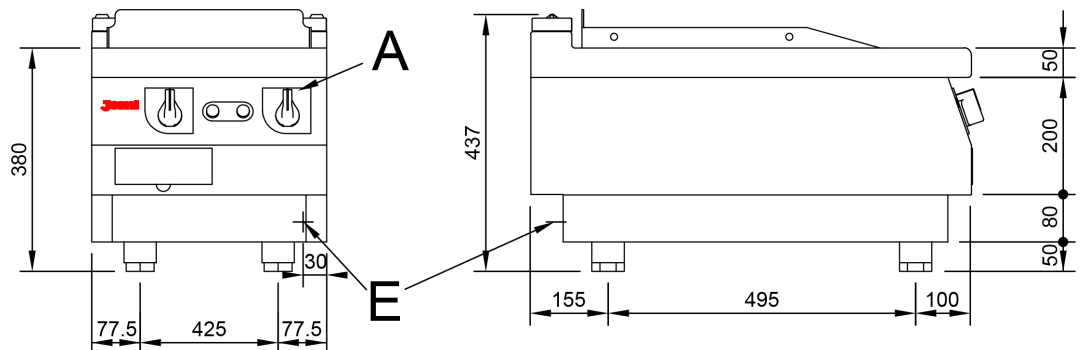
Weight 48 Kg.

Useful area 341 x 506 mm.

Type surface Grooved (CHROME PLATE,

Voltage 400V. III + T

Electric power 4,8 Kw.



Index

- A. Characteristics plate
(Inside panel)
- E. Electric inlet 400V. III + T
Power: 4,8 Kw.

