

Technical Sheet

Cookers 750 EV Series Coup de feu - Hot plate cookers

Jemi Simply
built to last

Professional Dishwashing
and Cooking Equipment

Selva de Mar, 122-128
08020 Barcelona, España
Tel. 0034 93 308 31 54
Fax. 0034 93 303 38 73
jemi@jemi.es
www.jemi.es

Mod. STP700 EV

Characteristics

External dimensions 400 x 750 x 380 mm.

Weight 75 Kg.

Gas consumption Hi (15°C 1013,25 mbar)

Natural gas H G20 Hi = 34.02 MJ / m³ 0,88

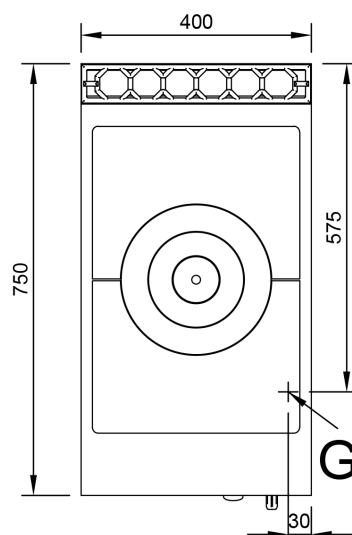
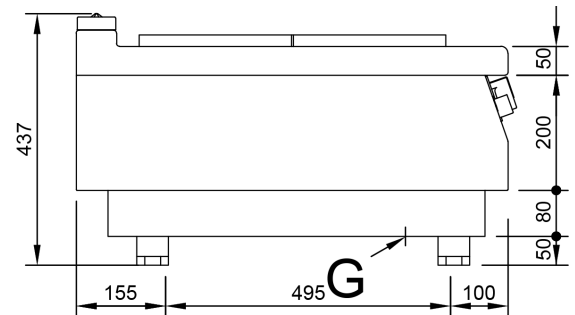
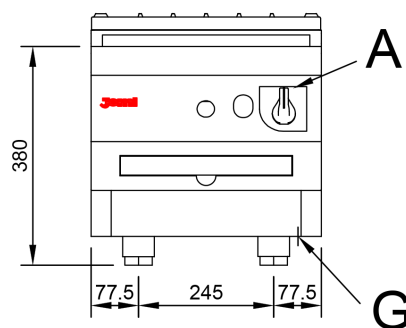
G.P.L. G30 / G31 Hi = 45.65MJ / kg 0,82

Number of burners plates 1 ø 200 mm.

Burner power plate 9,88 Kw. / 8.500 Kcal/h.

Gas inlet 3/4"

Nominal power 9,88 Kw.



Index

- A. Characteristics plate
(inside panel)
- G. Inlet gas 3/4".
Power: 9,88 Kw.
8.500 Kcal/h.

