

Technical Sheet

Cookers 900 EV Series Gas cookers and tops

Jemi Simply
built to last

Professional Dishwashing
and Cooking Equipment

Selva de Mar, 122-128
08020 Barcelona, España
Tel. 0034 93 308 31 54
Fax. 0034 93 303 38 73
jemi@jemi.es
www.jemi.es

Mod. T401 EV

Characteristics

External dimensions 800 x 900 x 850 mm.

Weight 104 Kg.

Gas consumption Hi (15°C 1013,25 mbar)

Natural gas H G20 Hi = 34.02 MJ / m³ 2,53

G.P.L. G30 / G31 Hi = 45.65MJ / kg 2,05

Burners 1 out of ø 150 mm.

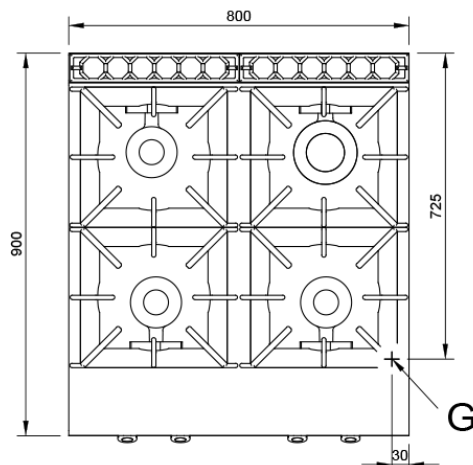
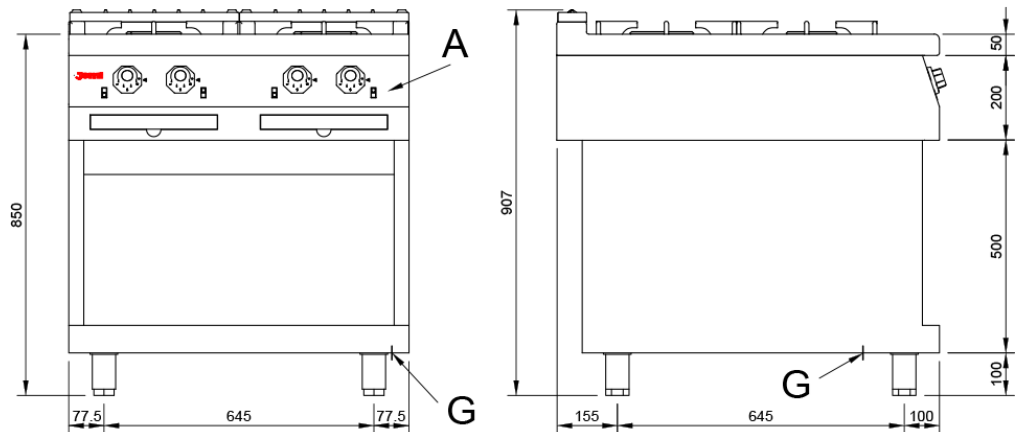
3 out of ø 120 mm.

Burner power ø 150 mm. 8,4 Kw. / 7.200 Kcal/h.

Burner power ø 120 mm. 7,4 Kw. / 6.300 Kcal/h.

Gas inlet 3/4"

Nominal power 30.35 Kw.



Index

A. Characteristics plate
(inside panel)

G. Inlet gas 3/4".

Power: 30,37 Kw.

26.100 Kcal/h.

