

# Technical Sheet

## Cookers 1000 EV Series Cookers with water chamber CHEF

Selva de Mar, 122-128  
08020 Barcelona, España  
Tel. 0034 93 308 31 54  
Fax. 0034 93 303 38 73  
jemi@jemi.es  
www.jemi.es

### Mod. T40C CHEF EV

#### Characteristics

Externals dimensions 900 x 1000 x 850 mm.

Weight 104 Kg.

Gas consumption Hi (15°C 1013,25 mbar)

Natural gas H G20 Hi = 34.02 MJ / m<sup>3</sup> 2,53

G.P.L. G30 / G31 Hi = 45.65MJ / kg 2,05

Burners 1 out of ø 150 mm.

3 out of ø 120 mm.

Burner power ø 150 mm. 8,4 Kw. / 7.200 Kcal/h.

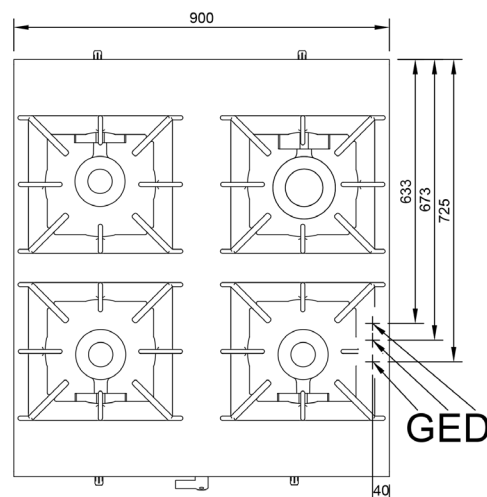
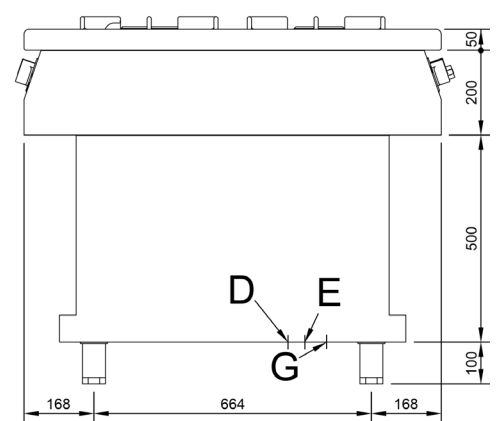
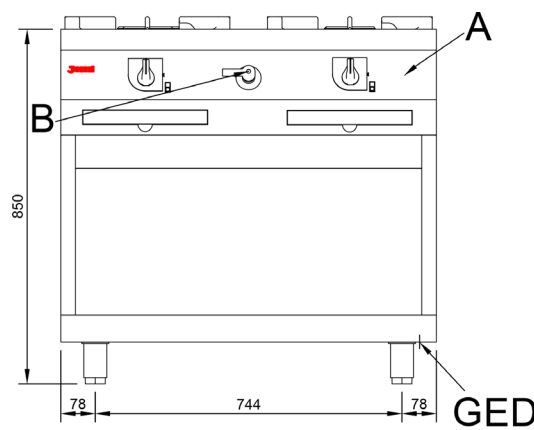
Burner power ø 120 mm. 7,4 Kw. / 6.300 Kcal/h.

Gas inlet 3/4"

Water inlet 1/2"

Drain 1"

Nominal power 30.60 Kw.



#### Index

- A. Characteristics plate (inside panel)
  - B. Filling tap.
  - D. Drain 1"
  - E. Water inlet 1/2".
  - G. Gas inlet 3/4".
- Power: 30,60 Kw.  
26.100 Kcal/h.