

Technical Sheet

Jemi Simply built to last

Professional Dishwashing and Cooking Equipment

Cookers 1000 EV Series Gas cookers and tops

Selva de Mar, 122-128
08020 Barcelona, España
Tel. 0034 93 308 31 54
Fax. 0034 93 303 38 73
jemi@jemi.es
www.jemi.es

Mod. T60C EV

Characteristics

External dimensions 130 x 1000 x 850 mm.

Weight 130 Kg.

Gas consumption Hi (15°C 1013,25 mbar)

Natural gas H G20 Hi = 34.02 MJ / m³ 3,84

G.P.L. G30 / G31 Hi = 45.65MJ / kg 3,10

Burners 2 out of ø 150 mm.

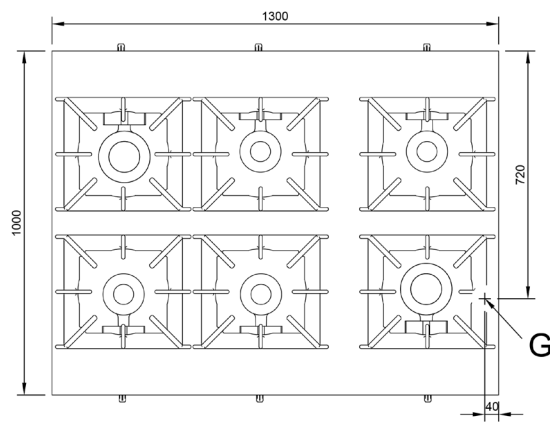
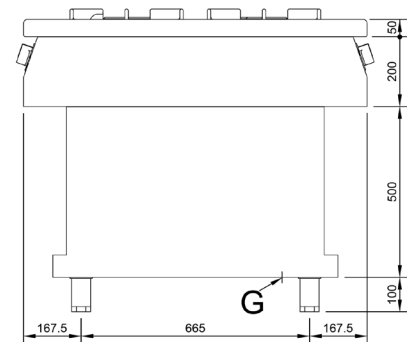
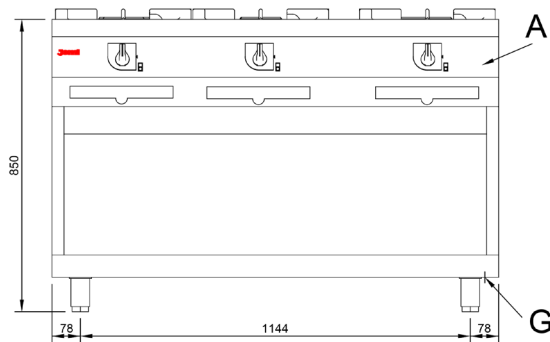
4 out of ø 120 mm.

Burner power ø 150 mm. 8,4 Kw. / 7.200 Kcal/h.

Burner power ø 120 mm. 7,4 Kw. / 6.300 Kcal/h.

Gas inlet 3/4"

Nominal power 46,40 Kw.



Index

- A. Characteristics plate (inside panel)
- G. Inlet gas 3/4".
Power: 46,40 Kw.
39.600 Kcal/h.

