

# Technical Sheet

## Cookers 900 EV Series Pyroceram

**Jemi** Simply built to last

Professional Dishwashing  
and Cooking Equipment

Selva de Mar, 122-128  
08020 Barcelona, España  
Tel. 0034 93 308 31 54  
Fax. 0034 93 303 38 73  
jemi@jemi.es  
www.jemi.es

### Mod. T90V EV

#### Characteristics

Externals dimensions 400 x 900 x 850 mm.

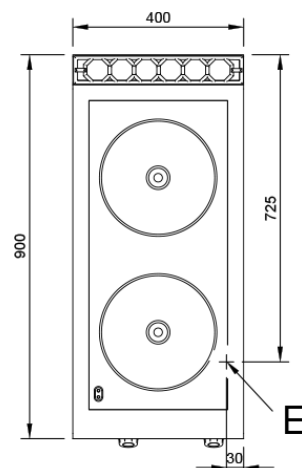
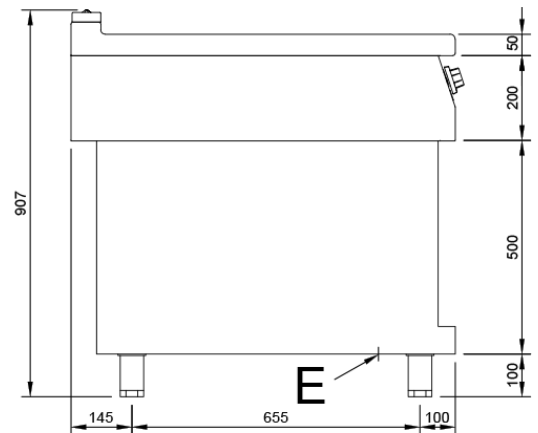
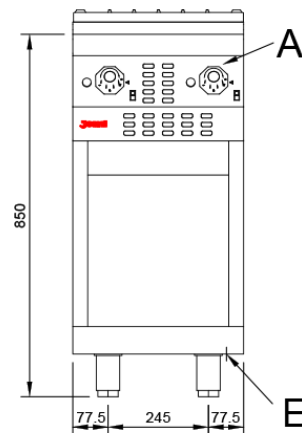
Weight 65 Kg.

Voltage 400V. III + T

Dimensions pyroceram plates 720x 350 x 6 mm.

Power plates 2 x 3,5Kw.

Electric power 7 Kw.



#### Index

- A. Characteristics plate  
(inside panel)
- E. Electric inlet 400V. III + T.  
Power: 7 Kw.

