

Technical Sheet

Cookers 900 EV Series Coup de feu - Hot plate cookers

Jemi Simply built to last

Professional Dishwashing
and Cooking Equipment

Selva de Mar, 122-128
08020 Barcelona, España
Tel. 0034 93 308 31 54
Fax. 0034 93 303 38 73
jemi@jemi.es
www.jemi.es

Mod. TP202 EV

Characteristics

External dimensions 800 x 900 x 850 mm.

Weight 104 Kg.

Gas consumption Hi (15°C 1013,25 mbar)

Natural gas H G20 Hi = 34.02 MJ / m³ 2,18

G.P.L. G30 / G31 Hi = 45.65MJ / kg 2,05

Number of open burners 1 ø 120 mm.

1 ø 150 mm.

Number of burners plates 1 ø 120 mm.

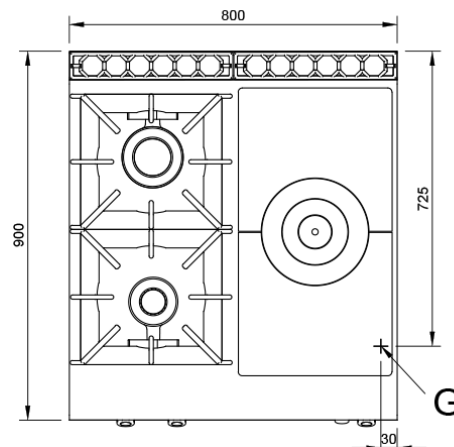
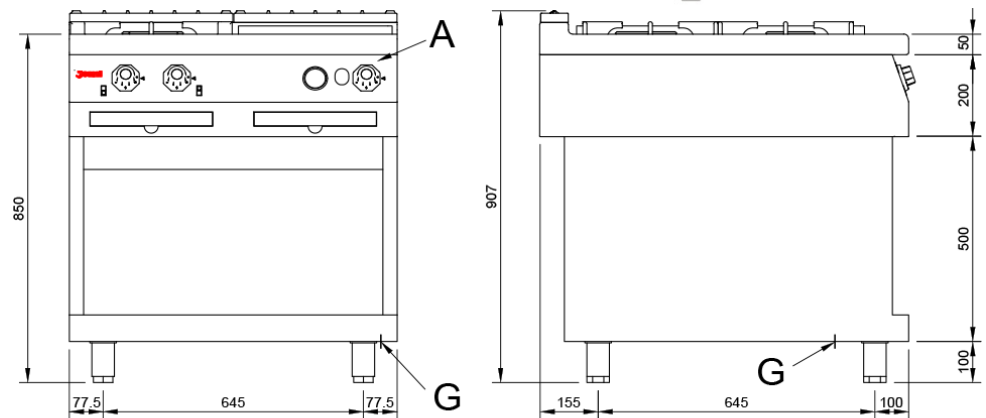
Burner power ø 120 mm. 7,4 Kw. / 6.300 Kcal/h.

Burner power ø 150 mm. 8,4 Kw. / 7.200 Kcal/h.

Burner power plate 10,46 Kw. / 9.000 Kcal/h.

Gas inlet 3/4"

Nominal power 26.16 Kw.



Index

A. Characteristics plate
(inside panel)

G. Inlet gas 3/4".

Power: 26,16 Kw.

22.500 Kcal/h.

