

Technical Sheet

Jemi Simply built to last

Professional Dishwashing and Cooking Equipment

Cookers 900 EV Series Coup de feu - Hot plate cookers

Selva de Mar, 122-128
08020 Barcelona, España
Tel. 0034 93 308 31 54
Fax. 0034 93 303 38 73
jemi@jemi.es
www.jemi.es

Mod. TP212 EV

Characteristics

External dimensions 800 x 900 x 850 mm.

Weight 195 Kg.

Gas consumption Hi (15°C 1013,25 mbar)

Natural gas H G20 Hi = 34.02 MJ / m³ 2,46

G.P.L. G30 / G31 Hi = 45.65MJ / kg 2,46

Burners 1 ø 150 mm.

1 ø 120 mm.

Burners coup de feu 1 ø 120 mm.

Burner power ø 150 mm. 8,4 Kw. / 7.200 Kcal/h.

Burner power ø 120 mm. 7,4 Kw. / 6.300 Kcal/h.

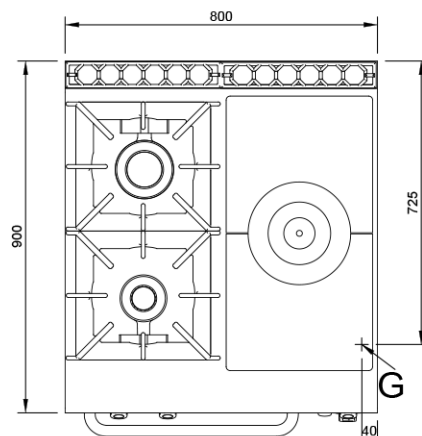
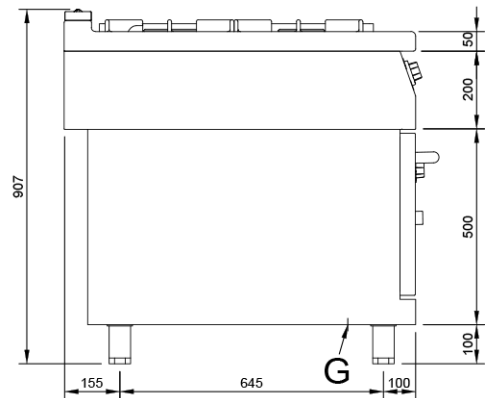
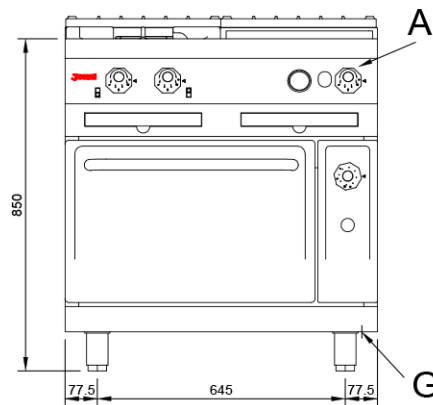
Burner power coup de feu 10,46 Kw. / 9.000 Kcal/h.

burner oven power 4,4 Kw. / 4.600 Kcal/h.

Oven dimensions 530 x 750 x 330 mm.

Gas inlet 3/4"

Nominal power 31.51Kw.



Index

A. Characteristics plate
(inside panel)

G. Gas inlet 3/4"
Power: 31,51 Kw.
27.100 Kcal/h.

