

# Technical Sheet

## Cookers 1000 EV Series Coup de feu - Hot plate cookers

Selva de Mar, 122-128  
08020 Barcelona, España  
Tel. 0034 93 308 31 54  
Fax. 0034 93 303 38 73  
jemi@jemi.es  
www.jemi.es

### Mod. TP40C EV

#### Characteristics

External dimensions 900 x 1000 x 850 mm.

Weight 125 Kg.

Gas consumption Hi (15°C 1013,25 mbar)

Natural gas H G20 Hi = 34.02 MJ / m<sup>3</sup> 1,17

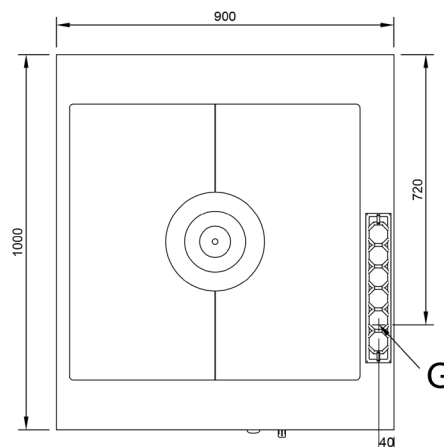
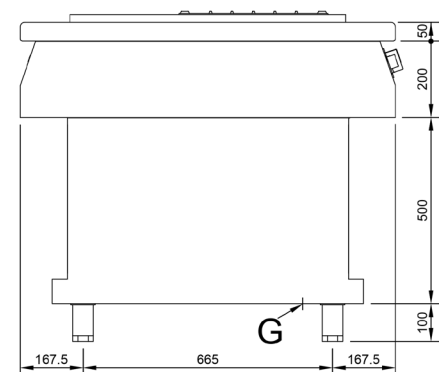
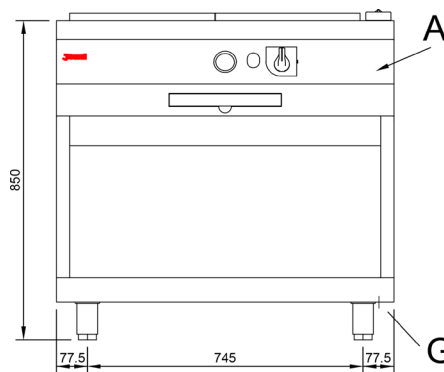
G.P.L. G30 / G31 Hi = 45.65MJ / kg 1,09

Burners coup de feu 1 ø 200 mm.

Burner power coup de feu 12.000 Kcal/h.

Gas inlet 3/4"

Nominal power 14 Kw.



#### Index

- A. Characteristics plate (inside panel)
- G. Gas inlet 3/4".  
Power: 14 Kw.  
12.000 Kcal/h.

