

Technical Sheet

Cookers 900 EV Series Coup de feu - Hot plate cookers

Jemi Simply built to last

Professional Dishwashing
and Cooking Equipment

Selva de Mar, 122-128
08020 Barcelona, España
Tel. 0034 93 308 31 54
Fax. 0034 93 303 38 73
jemi@jemi.es
www.jemi.es

Mod. TP412 EV

Characteristics

External dimensions 800 x 900 x 850 mm.

Weight 195 Kg.

Gas consumption Hi (15°C 1013,25 mbar)

Natural gas H G20 Hi = 34.02 MJ / m³ 1,61

G.P.L. G30 / G31 Hi = 45.65MJ / kg 1,51

Burners coup de feu 1 ø 200 mm.

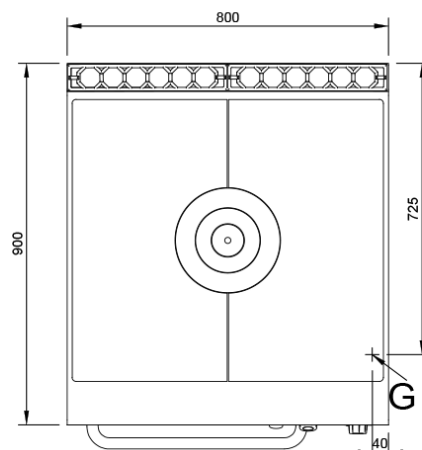
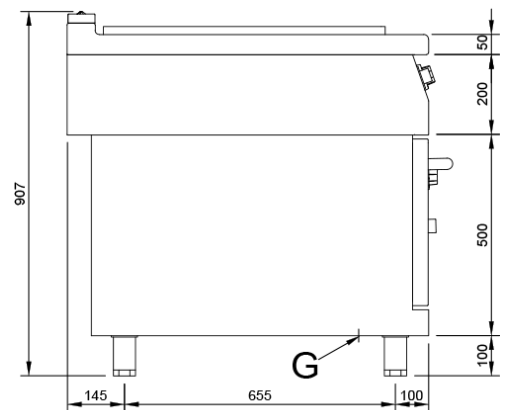
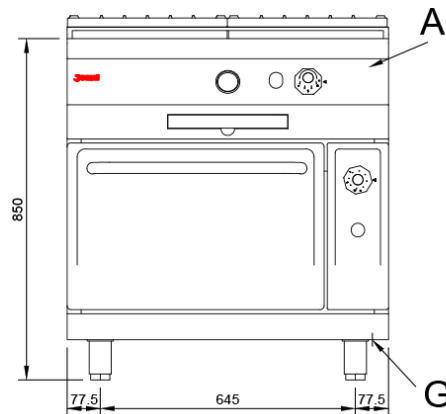
Burner power coup de feu 13,99 Kw. / 12.000 Kcal/h.

burner oven power 5,35 Kw. / 4.600 Kcal/h.

Oven dimensions 530 x 750 x 330 mm.

Gas inlet 3/4"

Nominal power 19.30 Kw.



Index

A. Characteristics plate
(inside panel)

G. Gas inlet 3/4"
Power: 19,30 Kw.
16.600 Kcal/h.

