

# Technical Sheet

## Cookers 900 EV Series Coup de feu - Hot plate cookers

**Jemi** Simply built to last

Professional Dishwashing  
and Cooking Equipment

Selva de Mar, 122-128  
08020 Barcelona, España  
Tel. 0034 93 308 31 54  
Fax. 0034 93 303 38 73  
jemi@jemi.es  
www.jemi.es

### Mod. TP602 EV

#### Characteristics

External dimensions 1200 x 900 x 850 mm.

Weight 151 Kg.

Gas consumption Hi (15°C 1013,25 mbar)

Natural gas H G20 Hi = 34.02 MJ / m<sup>3</sup> 2,48

G.P.L. G30 / G31 Hi = 45.65MJ / kg 2,32

Number of open burners 1 ø 120 mm.

1 ø 150 mm.

Number of burners plates 1 ø 200 mm.

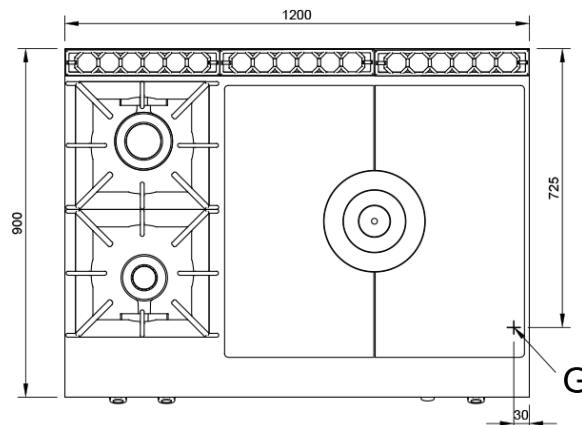
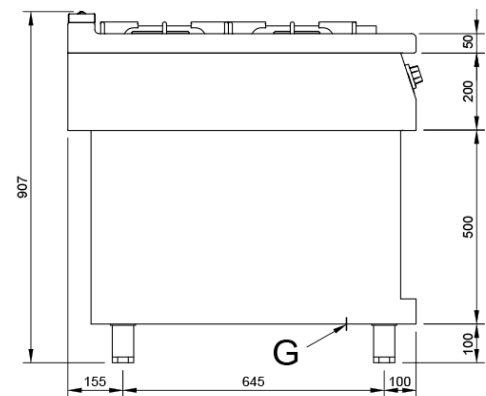
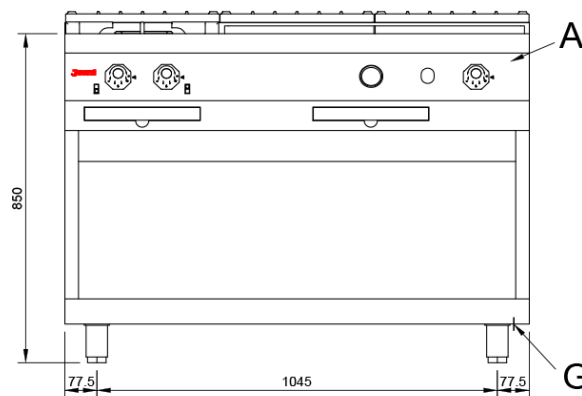
Burner power ø 120 mm. 7,4 Kw. / 6.300 Kcal/h.

Burner power ø 150 mm. 8,4 Kw. / 7.200 Kcal/h.

Burner power plate 13,99 Kw. / 12.000 Kcal/h.

Gas inlet 3/4"

Nominal power 29,65 Kw.



#### Index

A. Characteristics plate  
(inside panel)

G. Inlet gas 3/4".  
Power: 29,65 Kw.  
25.500 Kcal/h.

