

Technical Sheet

Jemi Simply built to last

Professional Dishwashing and Cooking Equipment

Cookers 900 EV Series Coup de feu - Hot plate cookers

Selva de Mar, 122-128
08020 Barcelona, España
Tel. 0034 93 308 31 54
Fax. 0034 93 303 38 73
jemi@jemi.es
www.jemi.es

Mod. TP612HG EV

Characteristics

External dimensions 1200 x 900 x 850 mm.
Weight 215 Kg.

Gas consumption Hi (15°C 1013,25 mbar)

Natural gas H G20 Hi = 34.02 MJ / m³ 3,25

G.P.L. G30 / G31 Hi = 45.65MJ / kg 3,05

Number of open burners 1 ø 120 mm.
1 ø 150 mm.

Number of burners plates 1 ø 200 mm.

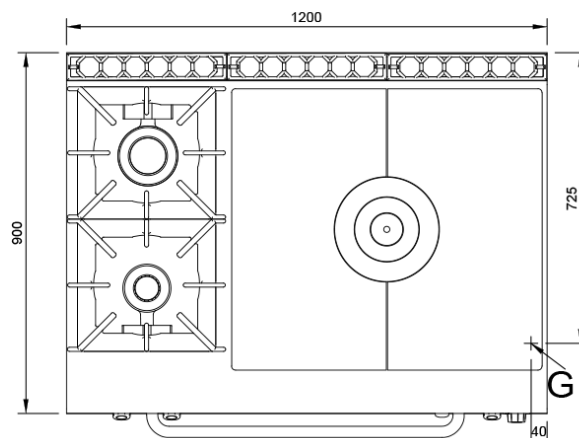
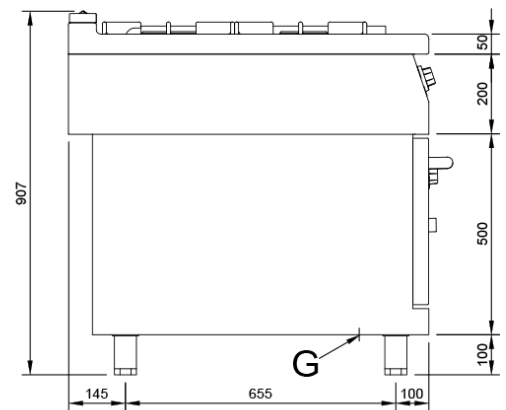
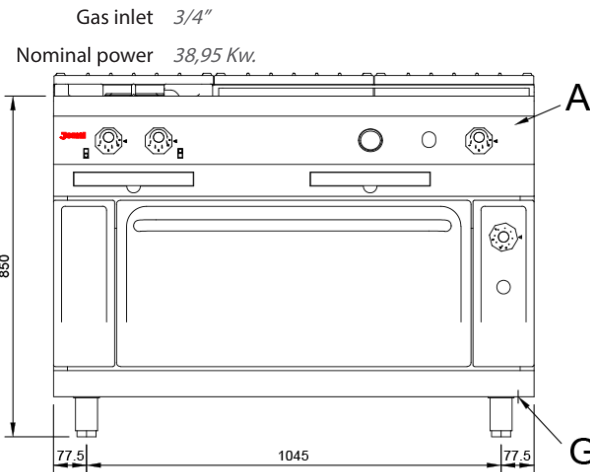
Burner power ø 120 mm. 7,4 Kw. / 6.300 Kcal/h.

Burner power ø 150 mm. 8,4 Kw. / 7.200 Kcal/h.

Burner power plate 13,99 Kw. / 12.000 Kcal/h

burner oven power 9,3 Kw. / 8.000 Kcal/h.

Oven dimensions 735 x 750 x 330 mm.



Index

- A. Characteristics plate (inside panel)
- G. Inlet gas 3/4".
Power: 38,95 Kw.
33.500 Kcal/h.

