

Technical Sheet

Cookers 900 EV Series Coup de feu - Hot plate cookers

Jemi Simply built to last

Professional Dishwashing
and Cooking Equipment

Selva de Mar, 122-128
08020 Barcelona, España
Tel. 0034 93 308 31 54
Fax. 0034 93 303 38 73
jemi@jemi.es
www.jemi.es

Mod. TP614HG EV

Characteristics

External dimensions 1200 x 900 x 850 mm.

Weight 215 Kg.

Gas consumption Hi (15°C 1013,25 mbar)

Natural gas H G20 Hi = 34.02 MJ / m³ 4,18

G.P.L. G30 / G31 Hi = 45.65MJ / kg 3,92

Number of open burners 3 ø 120 mm.

1 ø 150 mm.

Number of burners plates 1 ø 120 mm.

Burner power ø 120 mm. 7,4 Kw. / 6.300 Kcal/h.

Burner power ø 150 mm. 8,4 Kw. / 7.200 Kcal/h.

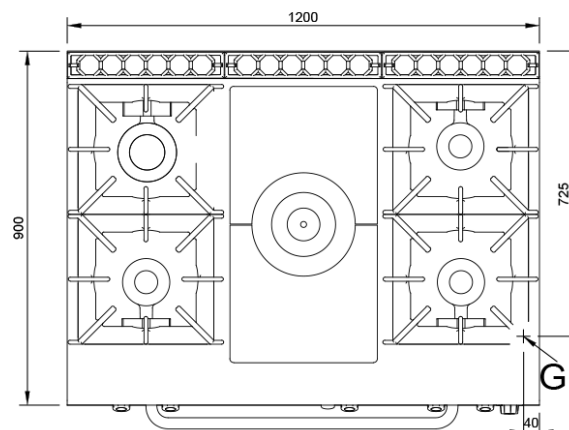
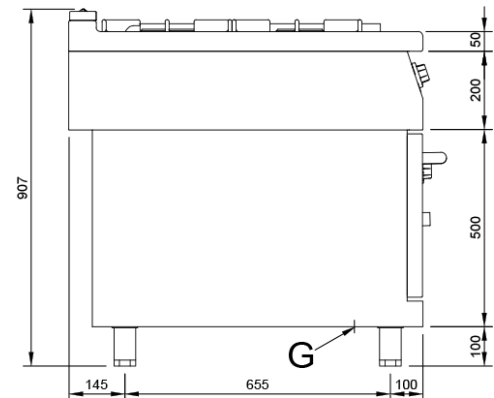
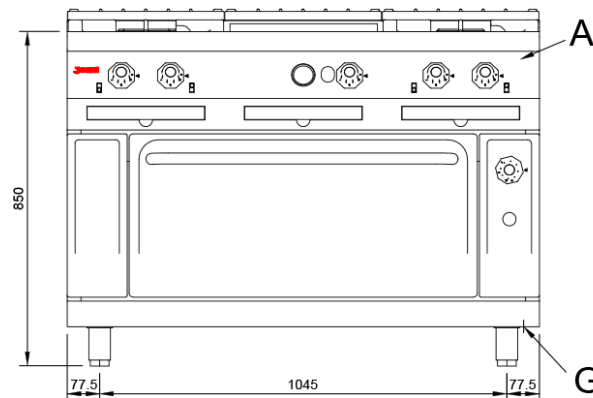
Burner power plate 10,46 Kw. / 9.000 Kcal/h.

burner oven power 9,3 Kw. / 8.000 Kcal/h.

Oven dimensions 735 x 750 x 330 mm.

Gas inlet 3/4"

Nominal power 50,12 Kw.



Index

A. Characteristics plate
(inside panel)

G. Inlet gas 3/4".
Power: 50,12 Kw.
43.100 Kcal/h.

