

# Technical Sheet

## Cookers 750 EV Series Coup de feu - Hot plate cookers

**Jemi** Simply built to last  
Professional Dishwashing  
and Cooking Equipment

Selva de Mar, 122-128  
08020 Barcelona, España  
Tel. 0034 93 308 31 54  
Fax. 0034 93 303 38 73  
jemi@jemi.es  
www.jemi.es

### Mod. TP704 EV

#### Characteristics

External dimensions 800 x 750 x 750 mm.

Weight 115 Kg.

Gas consumption Hi (15°C 1013,25 mbar)

Natural gas H G20 Hi = 34.02 MJ / m<sup>3</sup> 1,17

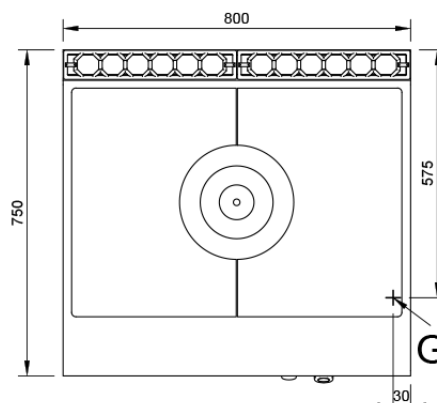
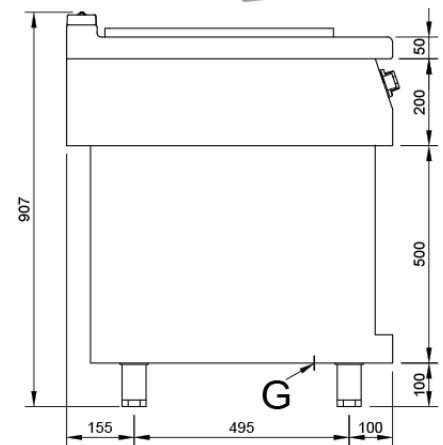
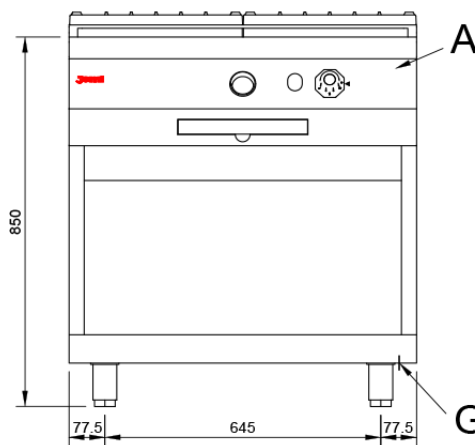
G.P.L. G30 / G31 Hi = 45.65MJ / kg 1,09

Number of burners plates 1 ø 200 mm.

Burner power plate 11,51 Kw. / 9.900 Kcal/h.

Gas inlet 3/4"

Nominal power 11,51 Kw.



#### Index

A. Characteristics plate  
(inside panel)

G. Inlet gas 3/4".

Power: 11,51 Kw.

9.900 Kcal/h.

