

Technical Sheet

Jemi Simply built to last

Professional Dishwashing and Cooking Equipment

Cookers 750 EV Series Coup de feu - Hot plate cookers

Selva de Mar, 122-128
08020 Barcelona, España
Tel. 0034 93 308 31 54
Fax. 0034 93 303 38 73
jemi@jemi.es
www.jemi.es

Mod. TP706 EV

Characteristics

External dimensions 1200 x 750 x 850 mm.

Weight 151 Kg.

Gas consumption Hi (15°C 1013,25 mbar)

Natural gas H G20 Hi = 34.02 MJ / m³ 2,18

G.P.L. G30 / G31 Hi = 45.65MJ / kg 2,05

Number of open burners 2 ø 120 mm.

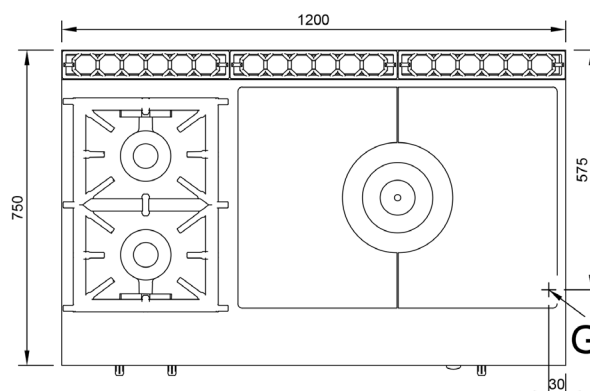
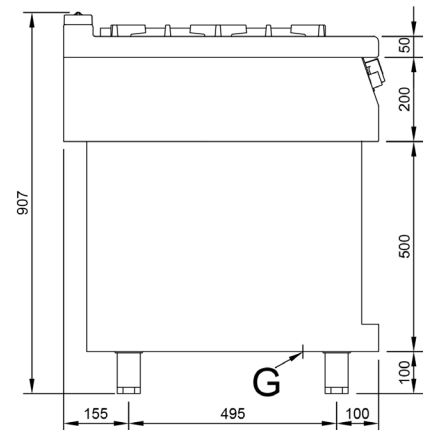
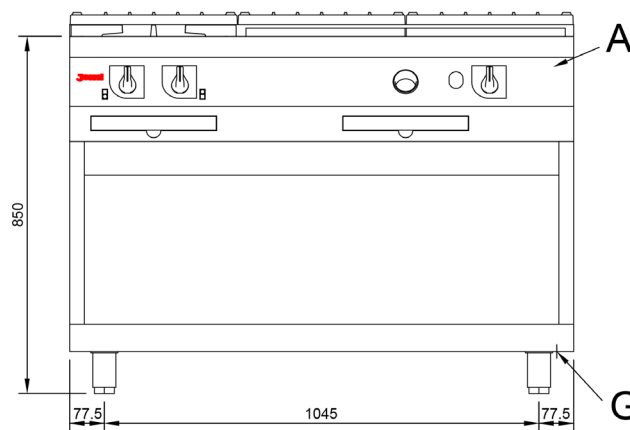
Number of burners plates 1 ø 200 mm.

Burner power ø 120 mm. 7,4 Kw. / 6.300 Kcal/h.

Burner power plate 9,88 Kw. / 8.495 Kcal/h.

Gas inlet 3/4"

Nominal power 26,31 Kw.



Index

A. Characteristics plate (inside panel)

G. Inlet gas 3/4".

Power: 26,31 Kw.

22.500 Kcal/h.

