

# Technical Sheet

## Cookers 750 EV Series Coup de feu - Hot plate cookers

**Jemi** Simply built to last  
Professional Dishwashing  
and Cooking Equipment

Selva de Mar, 122-128  
08020 Barcelona, España  
Tel. 0034 93 308 31 54  
Fax. 0034 93 303 38 73  
jemi@jemi.es  
www.jemi.es

### Mod. TP714 EV

#### Characteristics

External dimensions 800 x 750 x 850 mm.

Weight 130 Kg.

Gas consumption Hi (15°C 1013,25 mbar)

Natural gas H G20 Hi = 34.02 MJ / m<sup>3</sup> 1,38

G.P.L. G30 / G31 Hi = 45.65MJ / kg 1,29

Number of burners plates 1 ø 120 mm.

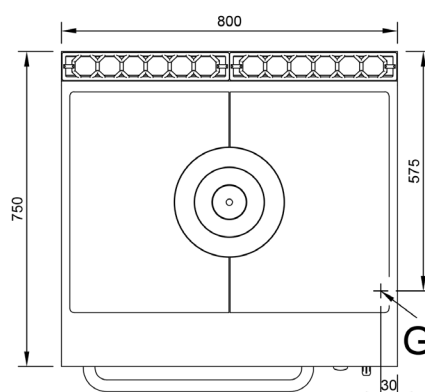
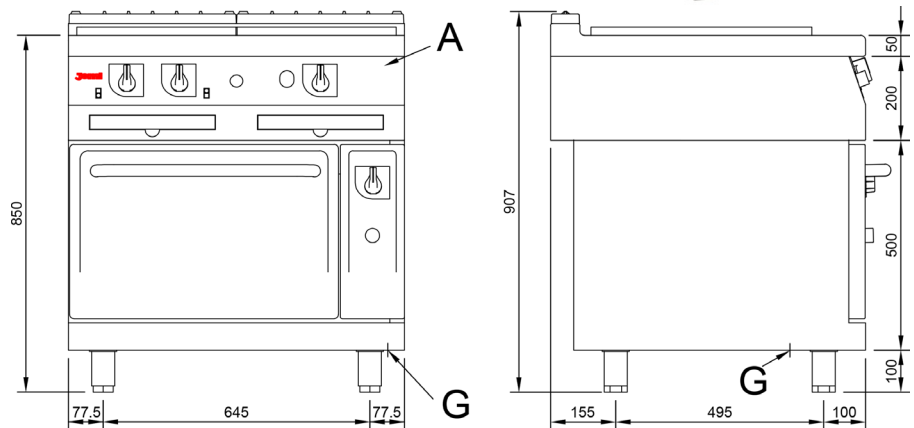
Burner power plate 9,88 Kw. / 8.495 Kcal/

burner oven power 4,8 Kw. / 4.127 Kcal/h.

Oven dimensions 530 x 605 x 330 mm.

Gas inlet 3/4"

Nominal power 16,51 Kw.



#### Index

A. Characteristics plate  
(inside panel)

G. Inlet gas 3/4".

Power: 16,51 Kw.

14.200 Kcal/h.

