

Technical Sheet

Cookers 750 EV Series Coup de feu - Hot plate cookers

Jemi Simply
built to last

Professional Dishwashing
and Cooking Equipment

Selva de Mar, 122-128
08020 Barcelona, España
Tel. 0034 93 308 31 54
Fax. 0034 93 303 38 73
jemi@jemi.es
www.jemi.es

Mod. TP716 EV

Characteristics

External dimensions 1200 x 750 x 850 mm.
Weight 215 Kg.

Gas consumption Hi (15°C 1013,25 mbar)

Natural gas H G20 Hi = 34.02 MJ / m³ 2,81

G.P.L. G30 / G31 Hi = 45.65MJ / kg 2,63

Number of open burners 2 ø 120 mm.

Number of burners plates 1 ø 120 mm.

Burner power ø 120 mm. 7,4 Kw. / 6.300 Kcal/h.

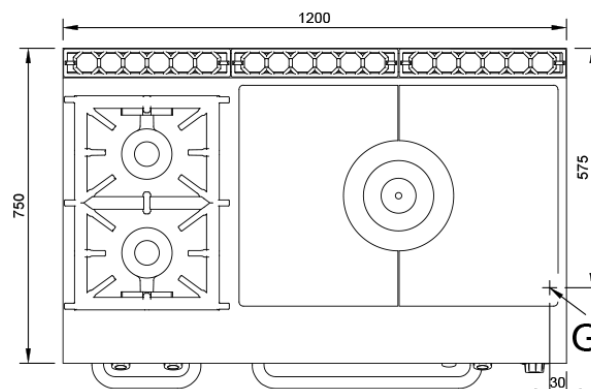
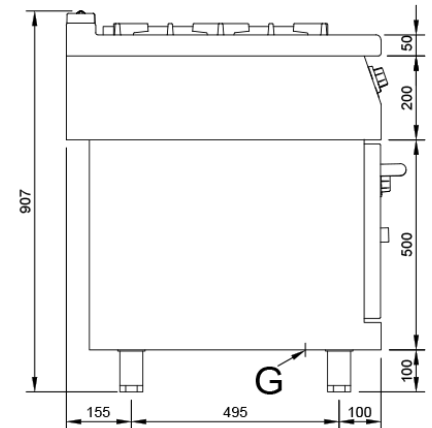
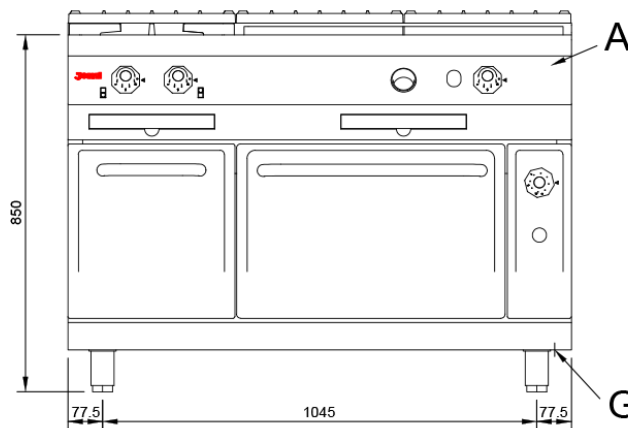
Burner power plate 11,51 Kw. / 9.900 Kcal/h.

burner oven power 5 Kw. / 4.300 Kcal/h.

Oven dimensions 530 x 605 x 330 mm.

Gas inlet 3/4"

Nominal power 31,31 Kw.



Index

- A. Characteristics plate
(inside panel)
- G. Inlet gas 3/4".
Power: 31,31 Kw.
26.800 Kcal/h.

