

Technical Sheet

Jemi Simply built to last

Professional Dishwashing and Cooking Equipment

Cookers 750 EV Series Coup de feu - Hot plate cookers

Selva de Mar, 122-128
08020 Barcelona, España
Tel. 0034 93 308 31 54
Fax. 0034 93 303 38 73
jemi@jemi.es
www.jemi.es

Mod. TP741 EV

Characteristics

External dimensions 800 x 750 x 850 mm.

Weight 114 Kg.

Gas consumption Hi (15°C 1013,25 mbar)

Natural gas H G20 Hi = 34.02 MJ / m³ 2,47

G.P.L. G30 / G31 Hi = 45.65MJ / kg 2,31

Number of open burners 2 ø 120 mm.

Number of burners plates 1 ø 120 mm.

Burner power ø 120 mm. 7,4 Kw. / 6.300 Kcal/h.

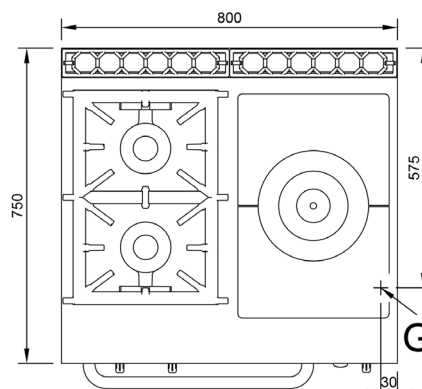
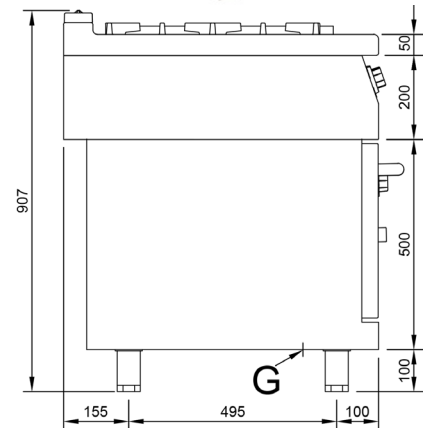
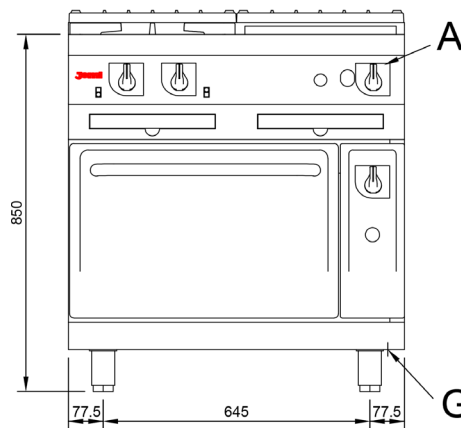
Burner power plate 9,88 Kw. / 8.495 Kcal/h

burner oven power 4,8 Kw. / 4.127 Kcal/h.

Oven dimensions 530 x 605 x 330 mm.

Gas inlet 3/4"

Nominal power 29,68 Kw.



Index

A. Characteristics plate (inside panel)

G. Inlet gas 3/4".

Power: 29,68 Kw.

24.400 Kcal/h.

